

Copyright Reserved

The Contractor shall verify and be responsible for all dimensions. DO NOT scale the drawing -- any errors or omissions shall be reported to Stantec without delay.  
 The Copyrights to all designs and drawings are the property of Stantec. Reproduction or use for any purpose other than that authorized by Stantec is forbidden.

Consultants

Legend

Notes

Revision By Appd. YY.MM.DD

Issued By Appd. YY.MM.DD

File Name: SOIL EROSION-01.DWG TTN DRW DRW 11.02.07

Permit-Seal Dwn. Chkd. Dsgn. YY.MM.DD

Client/Project  
 ANN ARBOR TOWNSHIP

Standard Specifications and Details

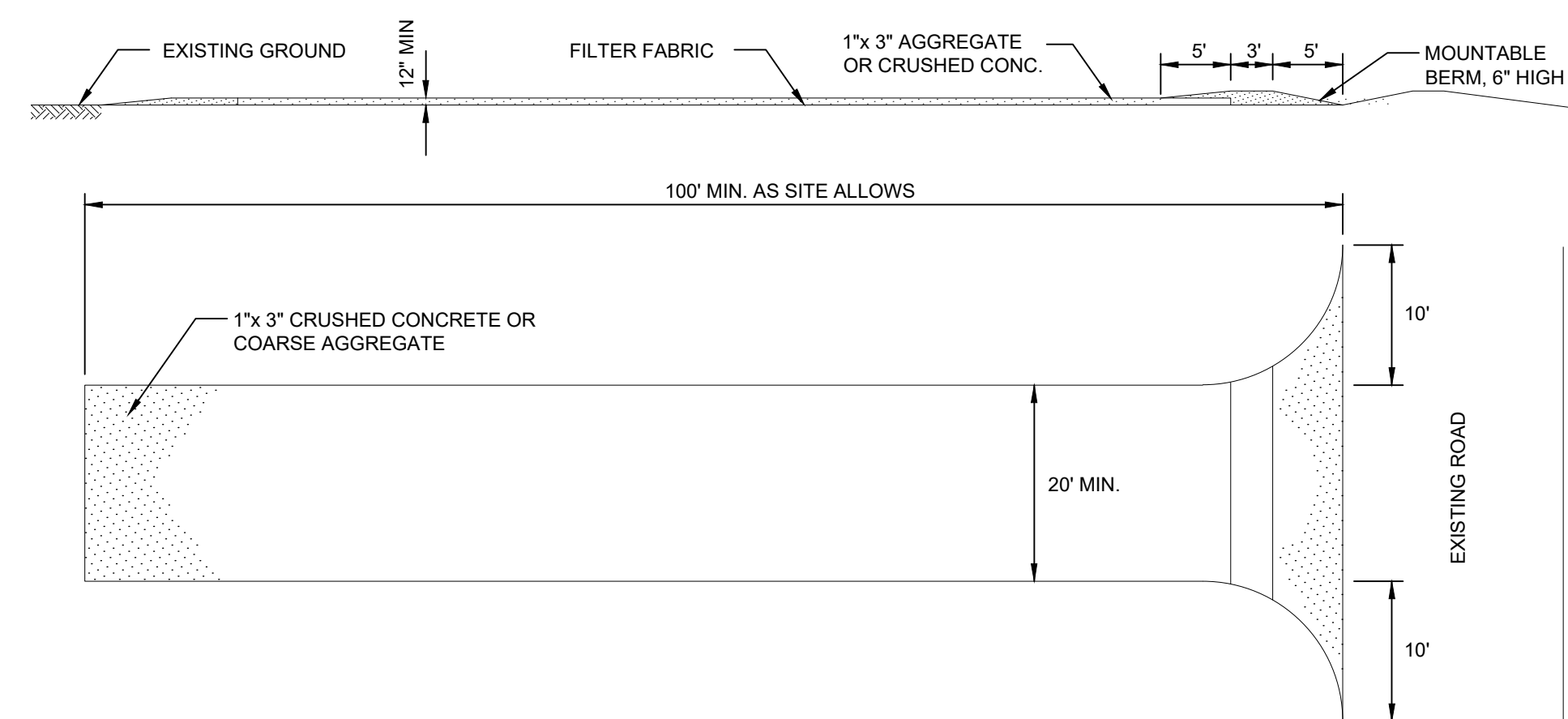
Title  
 SOIL EROSION DETAILS

Project No. Scale

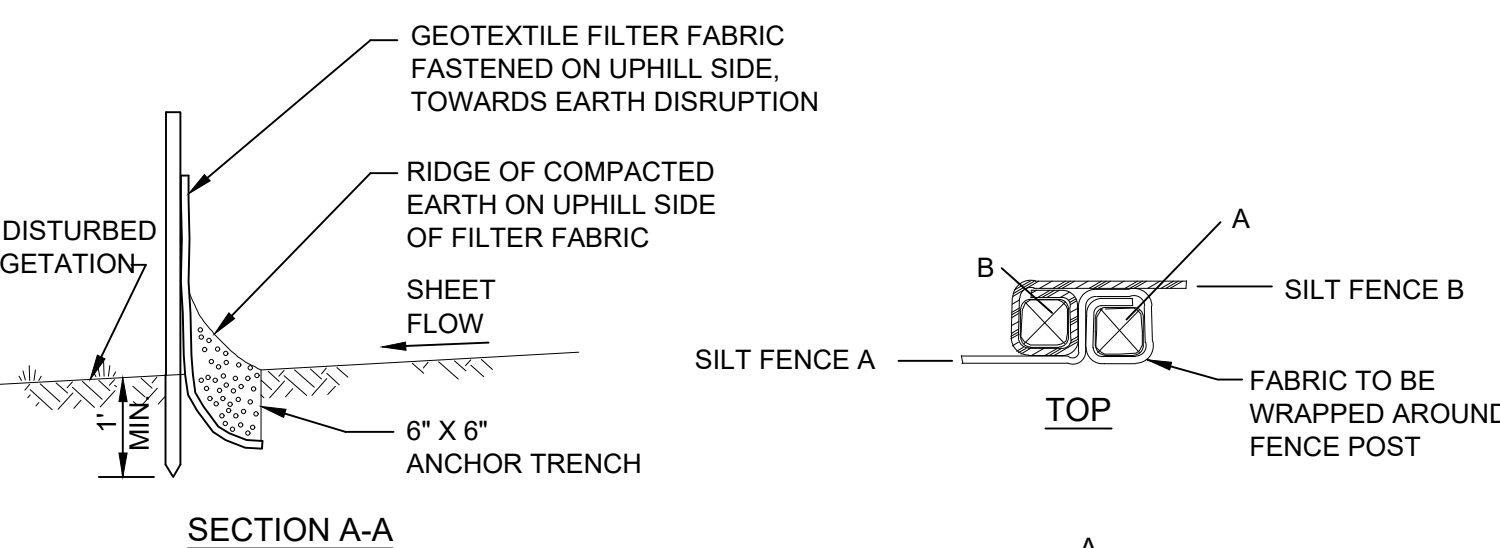
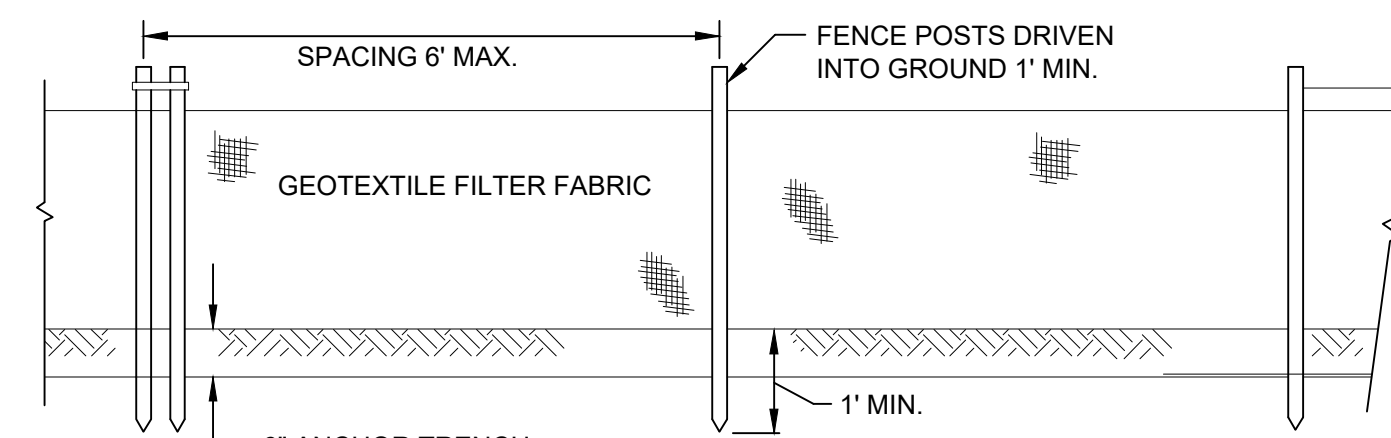
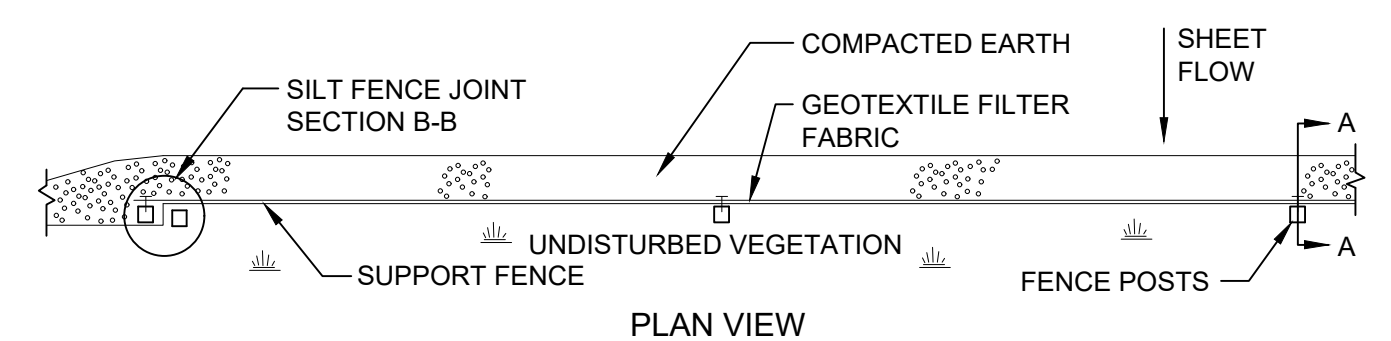
NOT TO SCALE

Drawing No. Sheet Revision

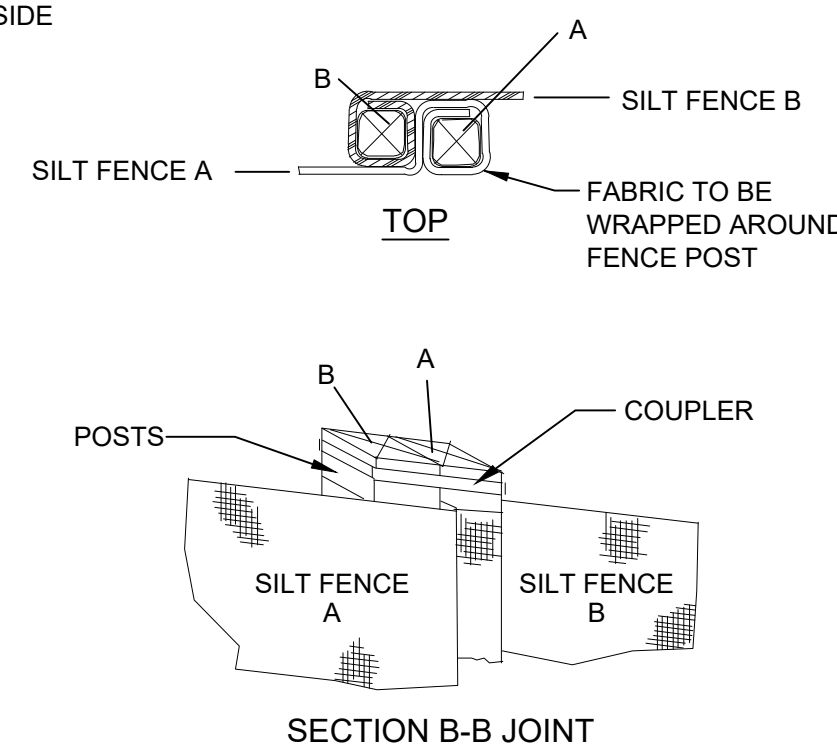
SE-01 1 of 1 0



MUD TRACKING ROAD (MUD MAT) DETAIL

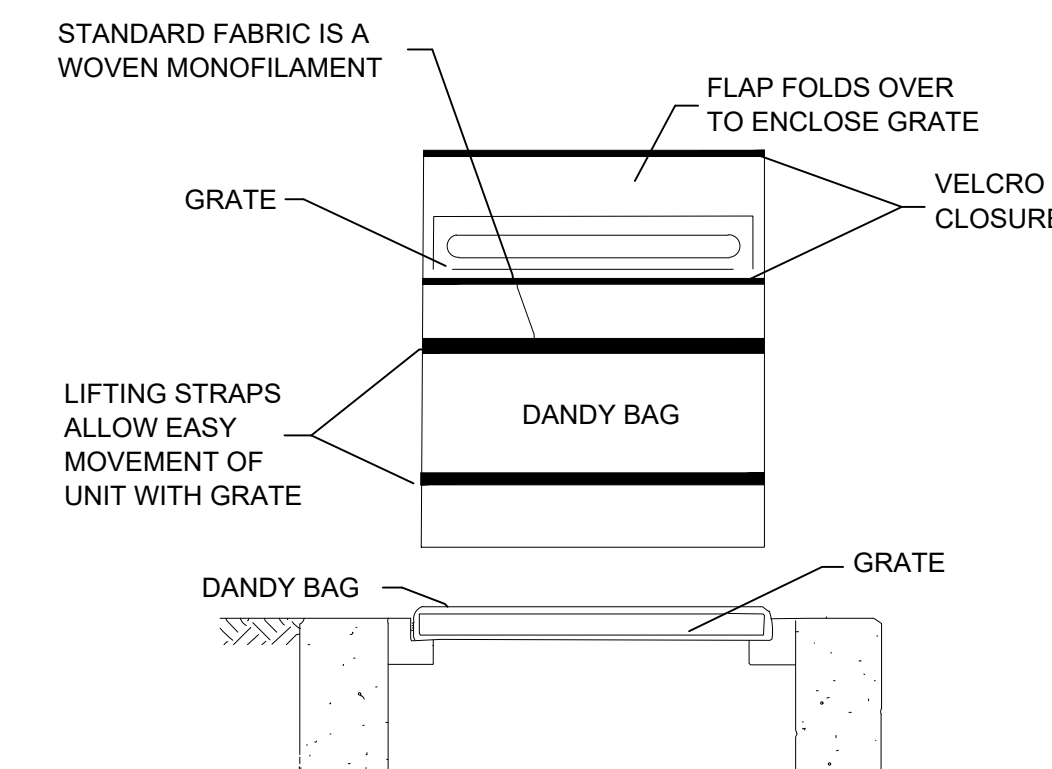


SILT FENCE

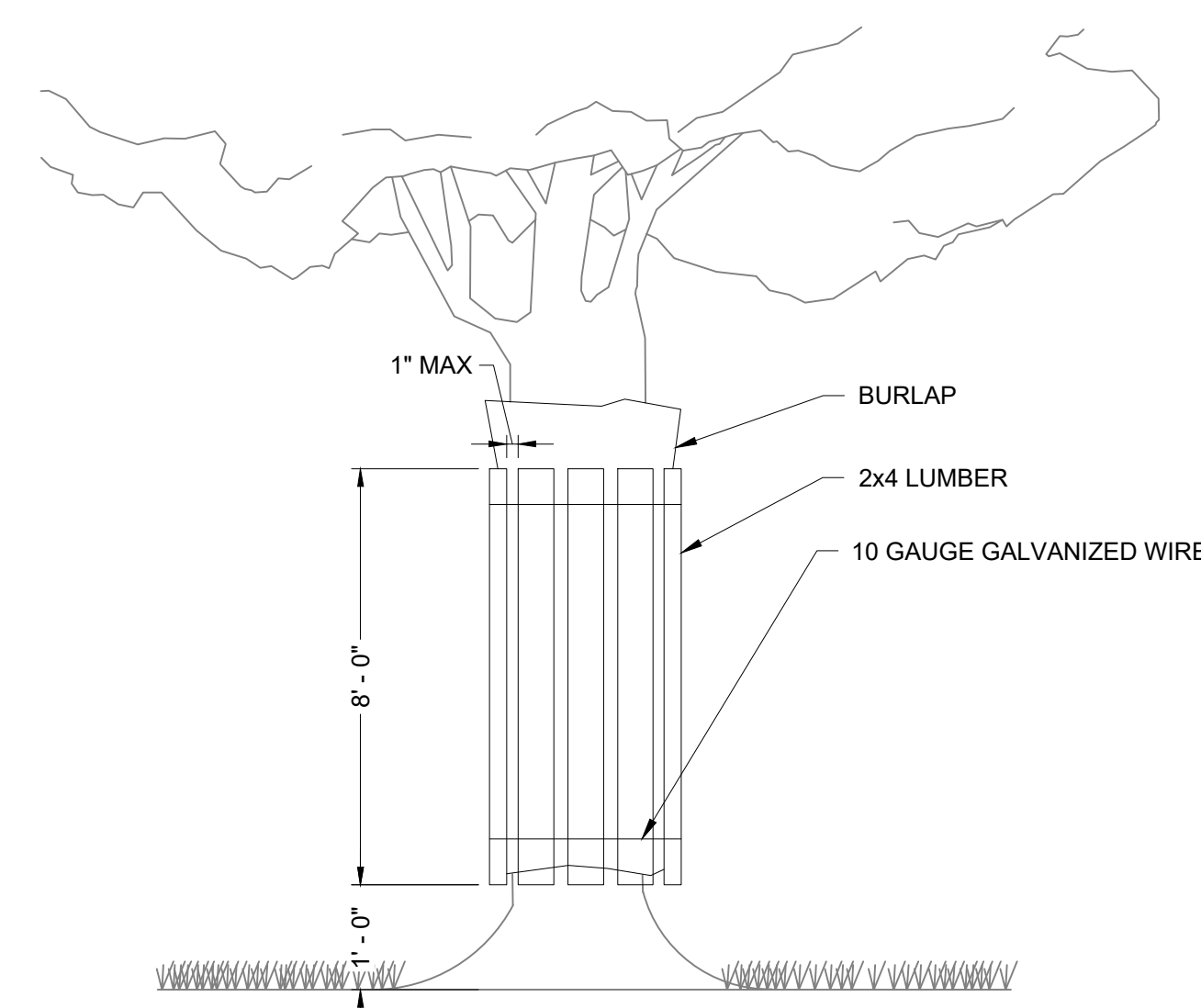


NOTE:

TO INSURE PROPER OPERATION REMOVE SILT, SEDIMENT, AND DEBRIS FROM THE SURFACE AND THE VICINITY OF THE UNIT WITH A SQUARE POINT SHOVEL OR STIFF BRISTLE BROOM AWAY FROM ENVIRONMENTALLY SENSITIVE AREAS AND WATERWAYS IN MANNER SATISFACTORY TO THE ENGINEER/INSPECTOR. REMOVE FINE MATERIAL FROM INSIDE DANDY BAG AS NEEDED. DISPOSE OF DANDY BAG NO LONGER IN USE AT AN APPROPRIATE RECYCLING OR SOLID WASTE FACILITY. TO INSPECT INLET, REMOVE DANDY BAG WITH GRATE INSIDE, INSPECT CATCH BASIN AND REPLACE DANDY BAG BACK INTO GRATE FRAME.

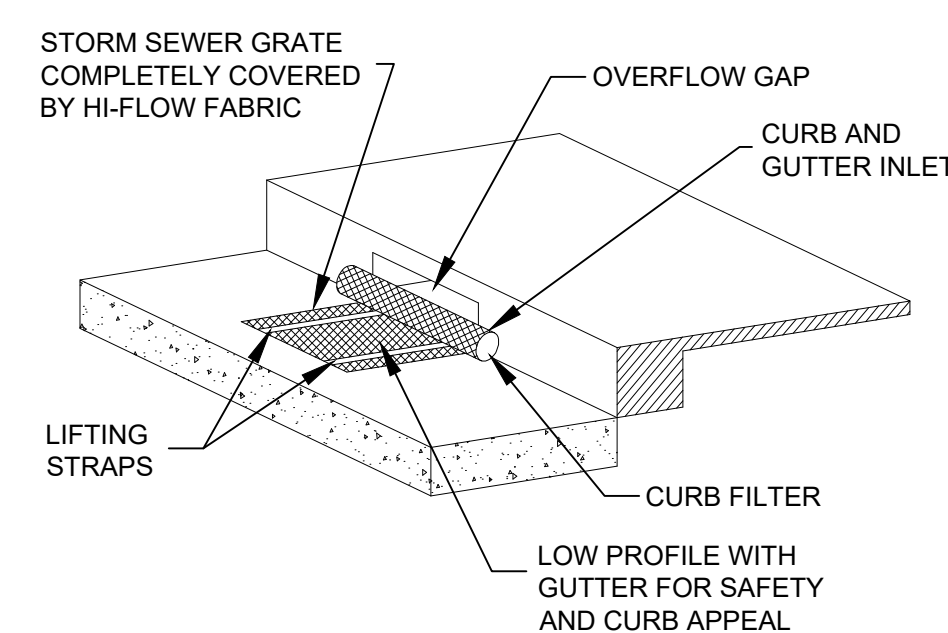


DANDY BAG



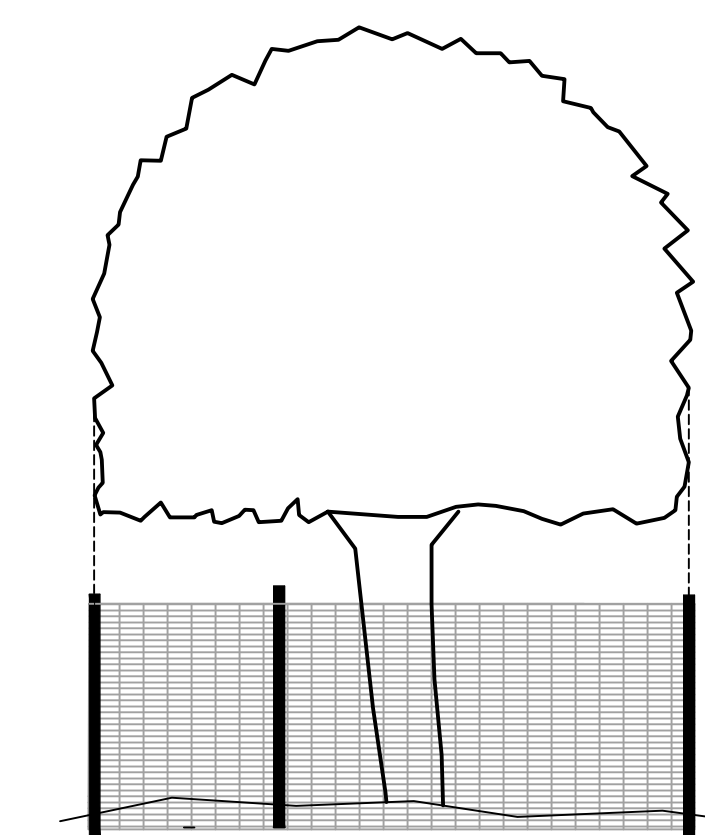
SECONDARY TREE PROTECTION DETAIL

- NOTES:
- SECONDARY TREE PROTECTION SHALL BE USED WHEN NECESSARY TO PROTECT IMPACTED TREES WHEN GRADING OR EQUIPMENT MAY BE WITHIN THE TREE'S DRIP LINE.



DANDY PRODUCTS - DANDY CURB BAG®(with Curb Filter)

FLAT GRATE AND MOUNTABLE CURB INLET PROTECTION



NOTES:

- ALL TREES TO BE REMOVED WILL BE IDENTIFIED BY RED FLAGGING.
- TREE PROTECTION FENCING IS TO BE ERECTED PRIOR TO ANY EARTHWORK OR CONSTRUCTION AND IS TO REMAIN IN PLACE UNTIL CONSTRUCTION AND GRADING IS COMPLETE.
- ALL DEBRIS, FILL, EQUIPMENT OR MATERIAL IS TO BE KEPT CLEAR OF AREA WITHIN PROTECTIVE FENCE. NO CLEANING OF EQUIPMENT OR MATERIAL OR STORAGE OR DISPOSAL OF ANY MATERIAL WITHIN THE DRIP LINE OF ANY TREES TO BE SAVED.

TREE PROTECTION FENCE DETAIL