

Copyright Reserved
The Contractor shall verify and be responsible for all dimensions. DO NOT SCALE. Stantec shall not be responsible for any errors or omissions. The Copyrights to all designs and drawings are the property of Stantec. No reproduction or use for any purpose other than that intended by Stantec is allowed.

Consultants

Legend

Notes

UPDATES	MM	ROC	18.02.23
UPDATES	CHR, MPH, SM, ESM	DNW	17.07.14
UPDATES	BM	DNW	13.01.17
Revision	By	Appd.	TYM/MDO
Issued	By	Appd.	TYM/MDO
File Name: SS-01.DWG	TN	DNW	11.02.07
Permit/Seal	Dwn.	Chkd.	TYM/MDO

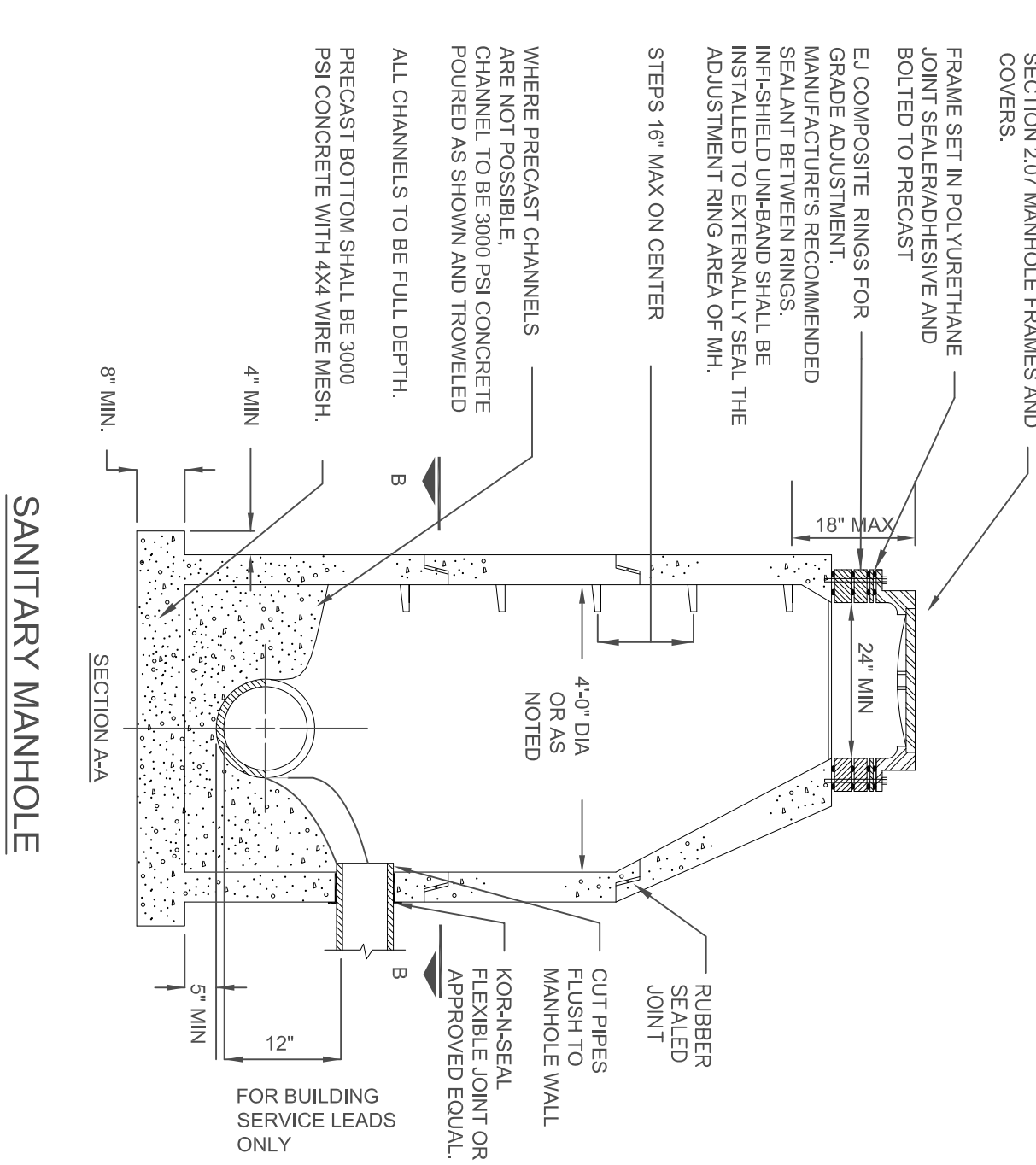
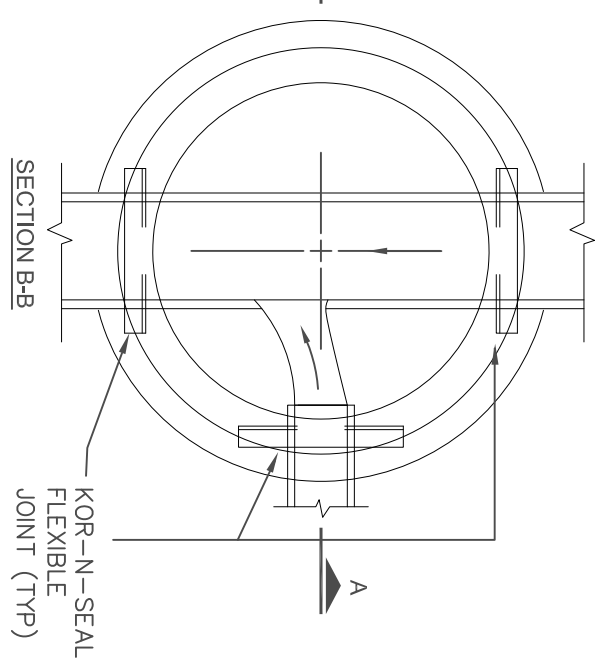
Client/Project
ANN ARBOR TOWNSHIP
Standard Specifications and Details

SANITARY SEWER DETAILS

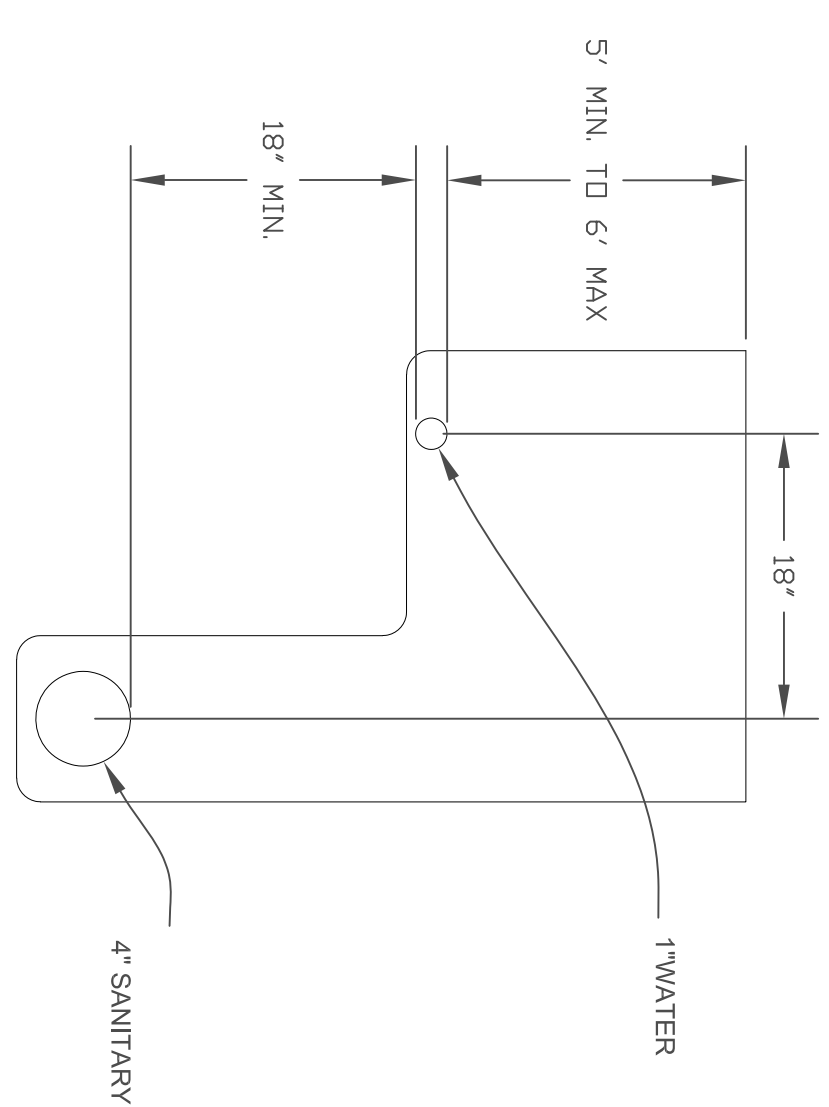
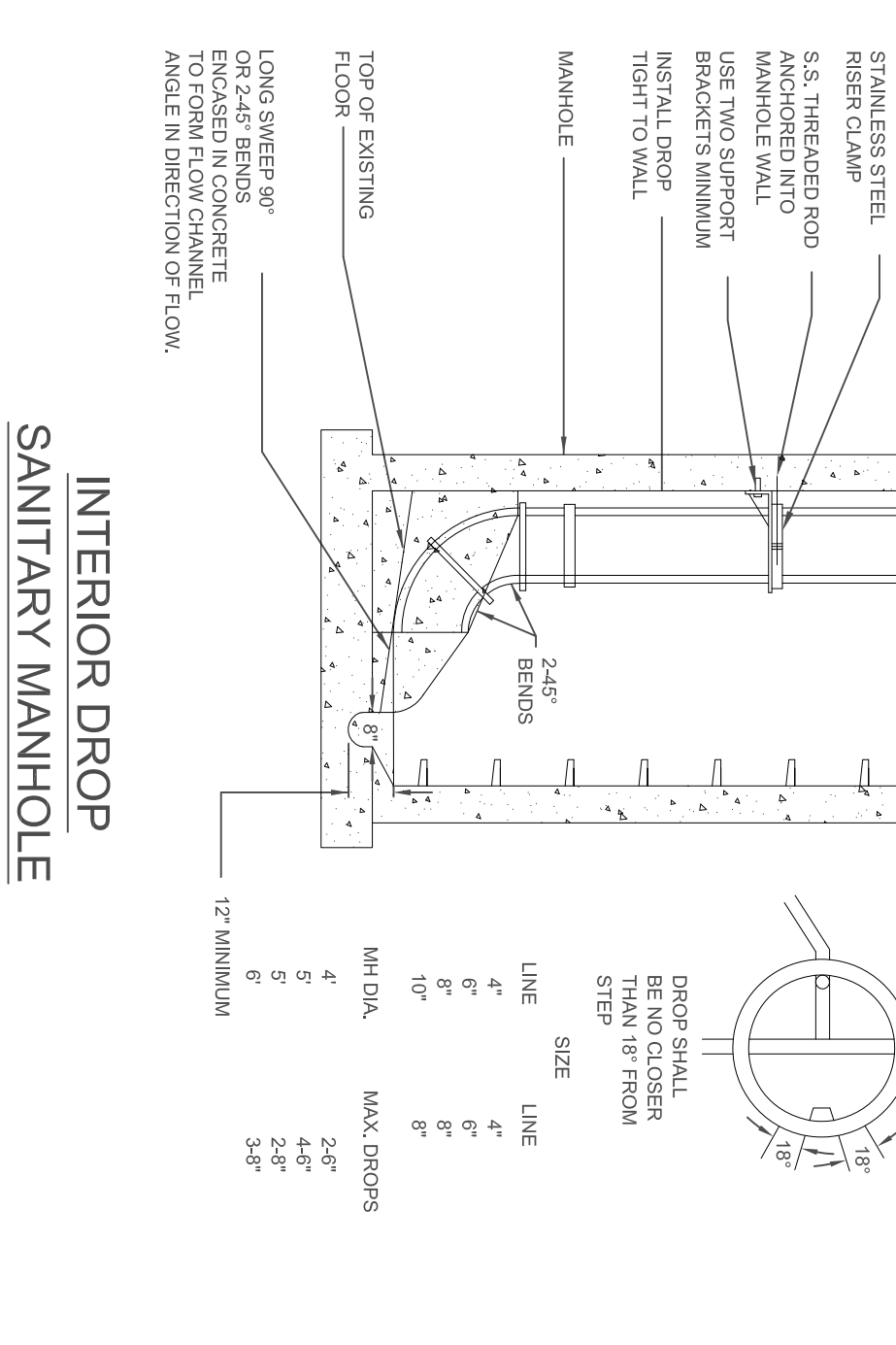
Project No. Scale **NOT TO SCALE**

Drawing No. Sheet **1 of 1** Revision **0**

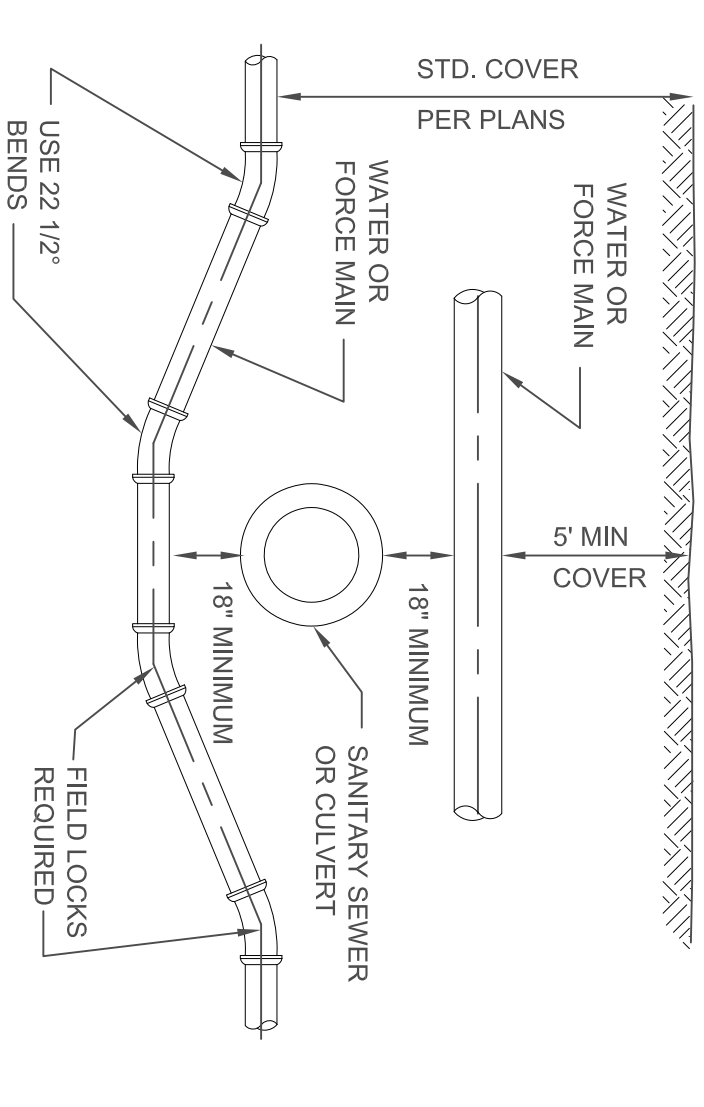
- PRECAST CONCRETE MANHOLE**
1. SECTIONS SHALL MEET ASTM C478.
 2. ALL JOINTS MADE WATERTIGHT WITH RUBBER GASKET JOINTS.
 3. CONCRETE CURING TYPE AND CURE COMPONENT PARTS SHALL HAVE THE NAME OF THE MANUFACTURER STENCILED ON THE INSIDE.
 4. ALL MANHOLES SHALL BE ANCHORED TO THE FOUNDATION.
 5. PROVIDE INTEGRAL BASE WITH PRECAST CONCRETE CHANNELS.
 6. WHERE PRECAST SEWERS ARE CONSTRUCTED BY PRECAST MANHOLES, ALL DOGHOUSE STRUCTURES MAY BE USED IN PLACE OF INTEGRAL BASE.



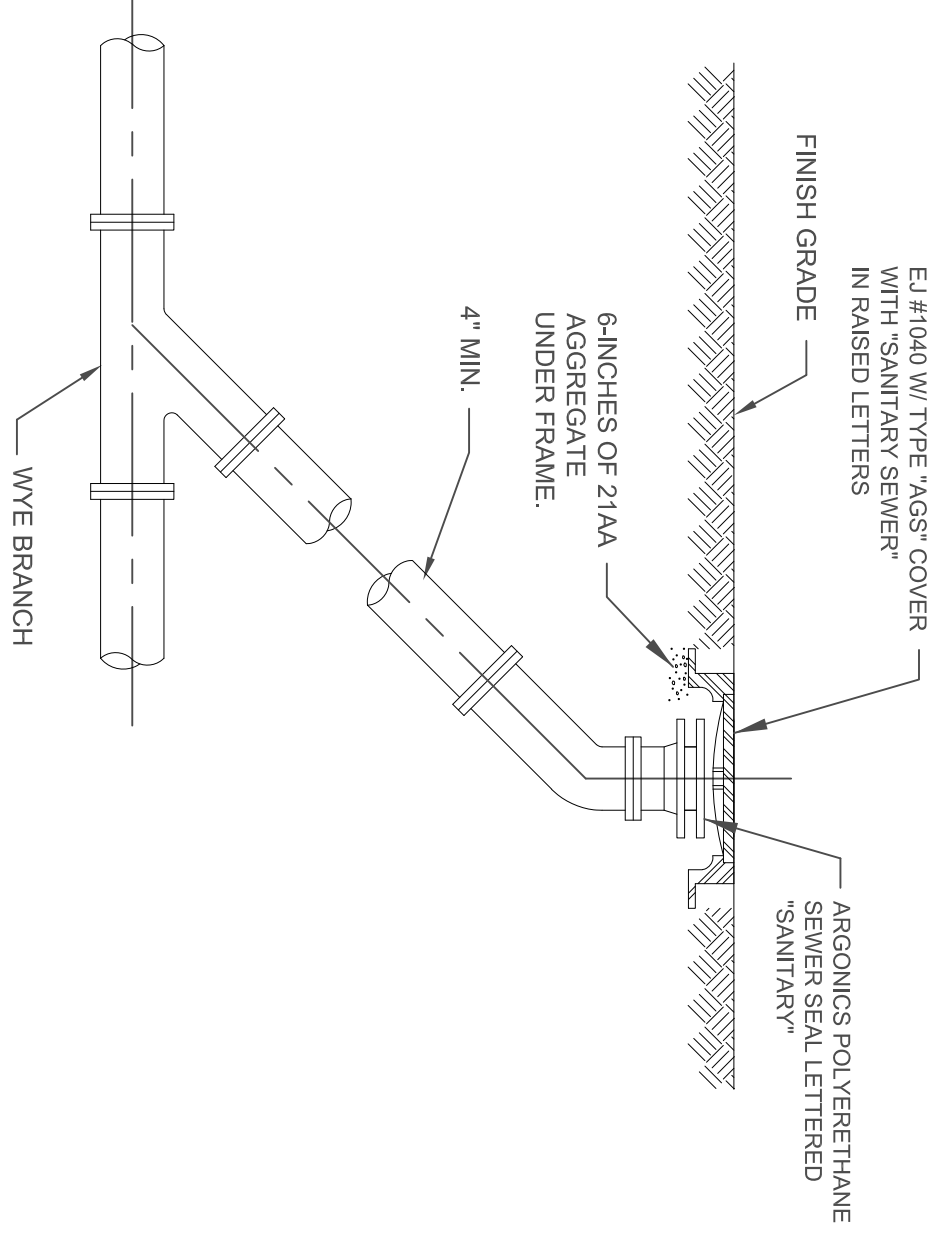
- NOTES:**
1. SECURE DROP PIPE TO MANHOLE WALL WITH REINFORCING ANCHORS.
 2. STEEL ADJUSTABLE CLAMPING BRACKETS.
 3. ATTACH THE DROP BOWL & EACH CLAMPING BRACKET TO THE MANHOLE WALL.
 4. S.S. BOLTS FIELD INCLUDE WITH 2\"/>



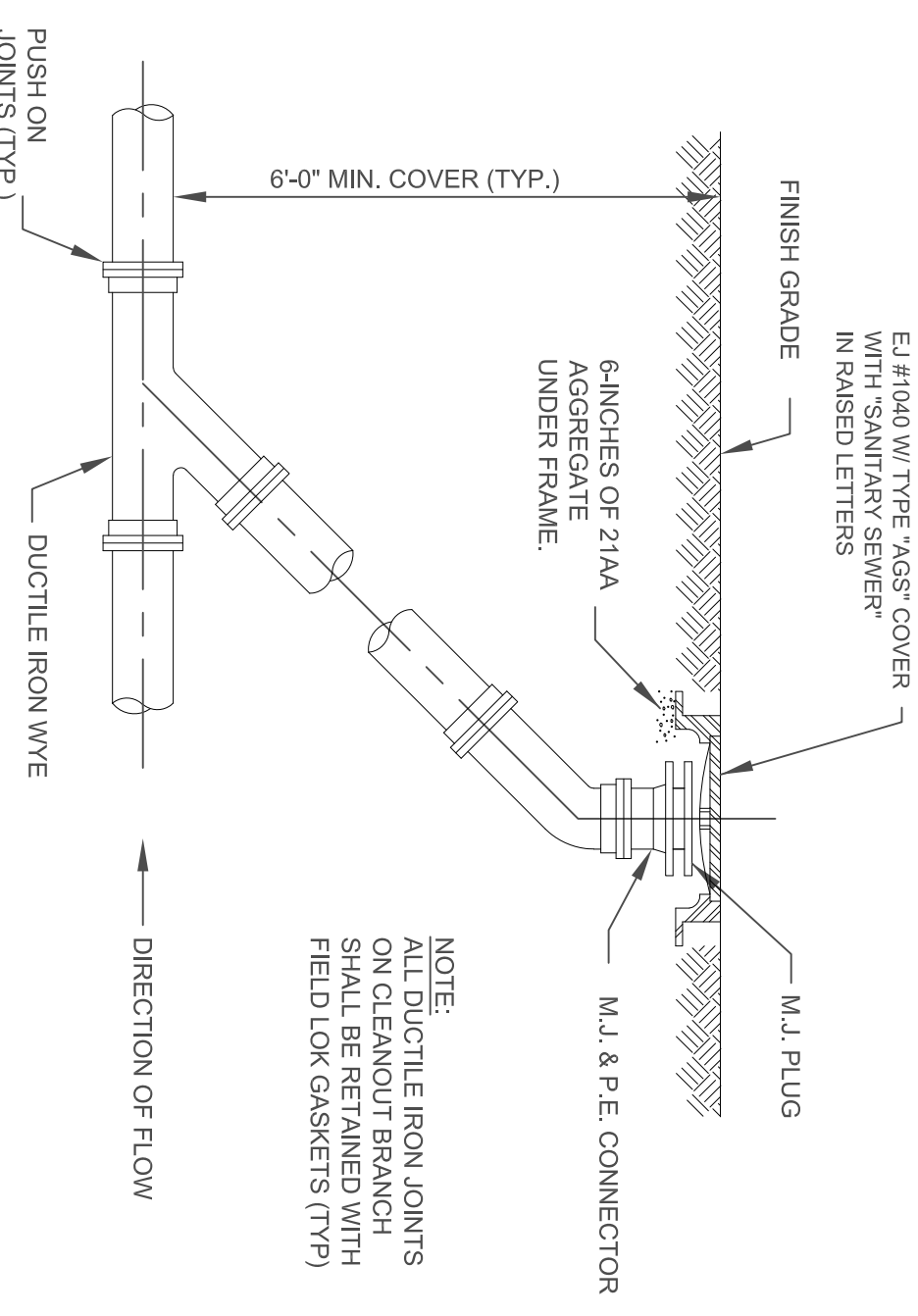
**TYPICAL L TRENCH DETAIL
HOUSE LEADS**



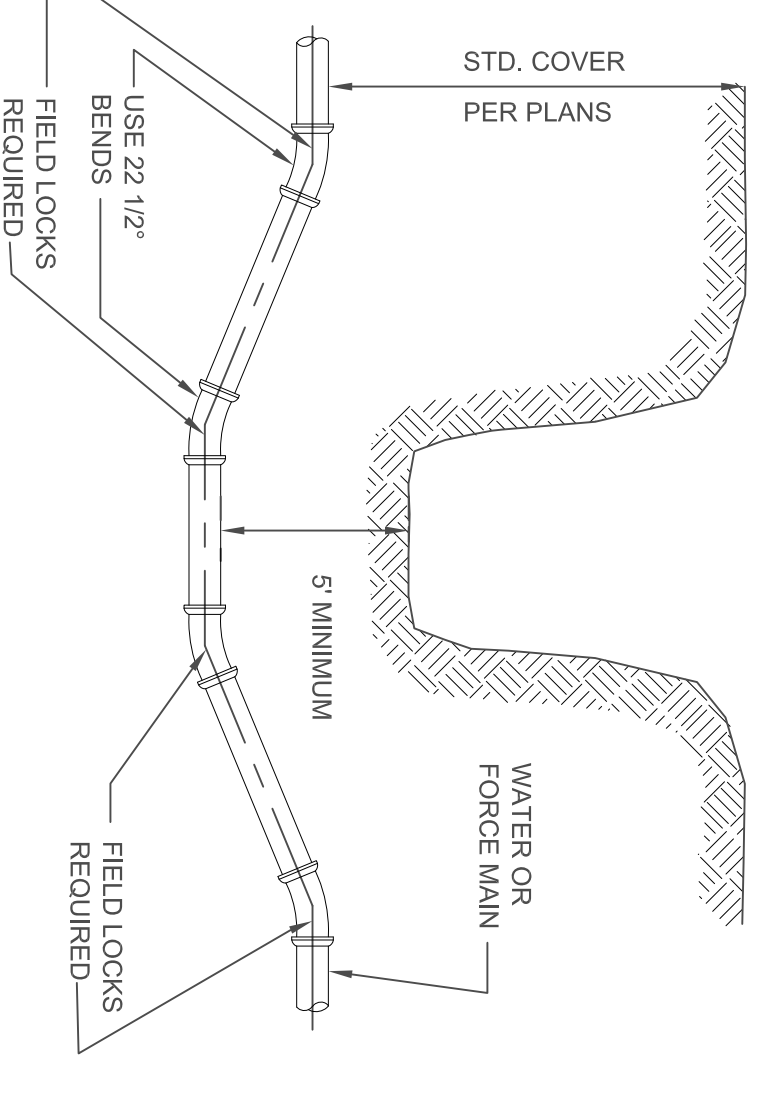
SEWER OR CULVERT CROSSING



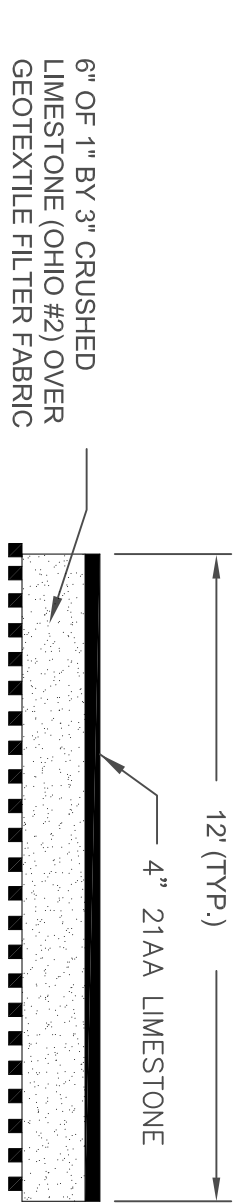
SANITARY SEWER CLEANOUT



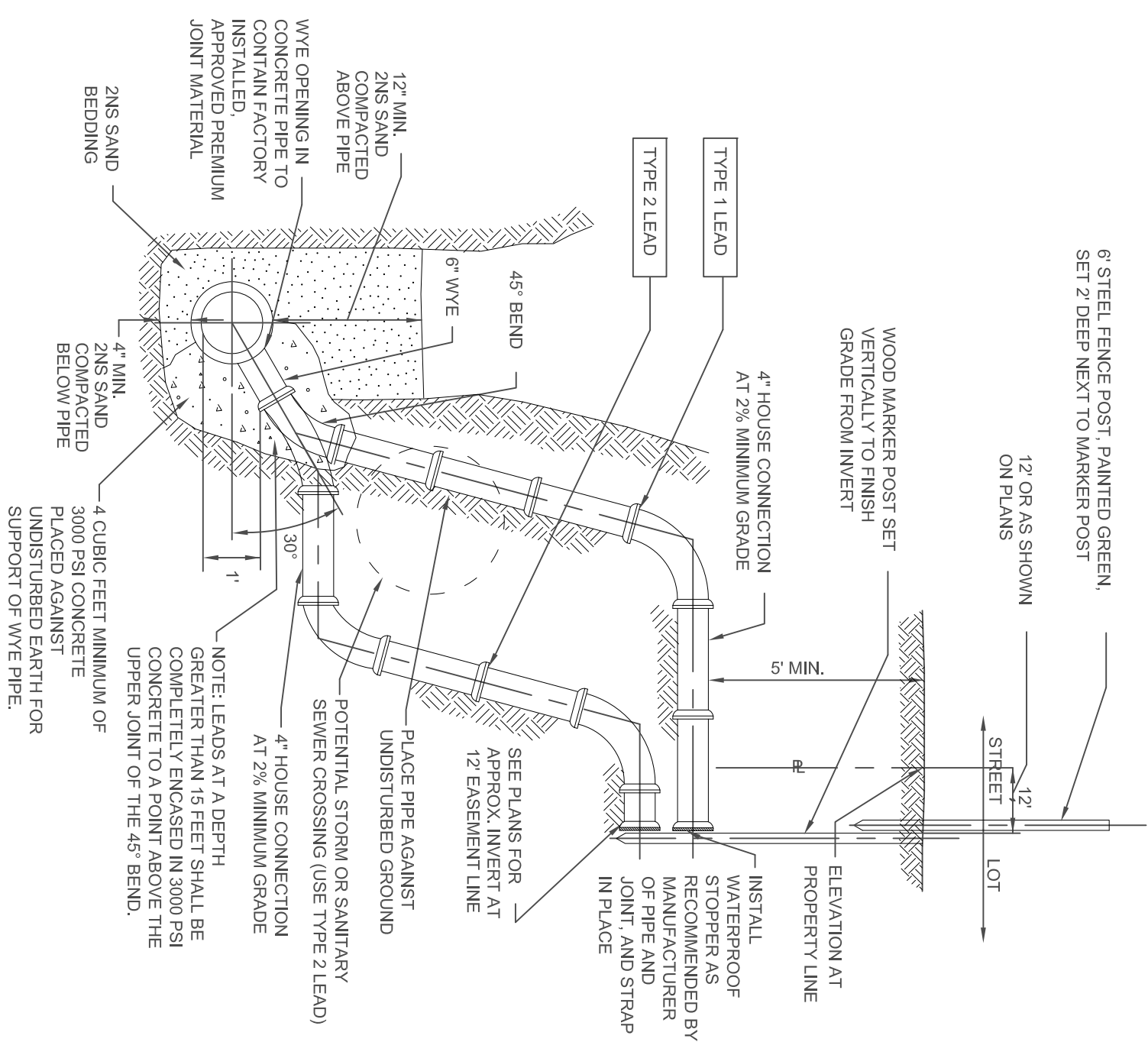
TYPICAL CLEANOUT FOR FORCE MAIN



DITCH & STREAM CROSSING



SANITARY SEWER ACCESS PATH



**SANITARY SEWER SERVICE
& RISER CONNECTION DETAIL**